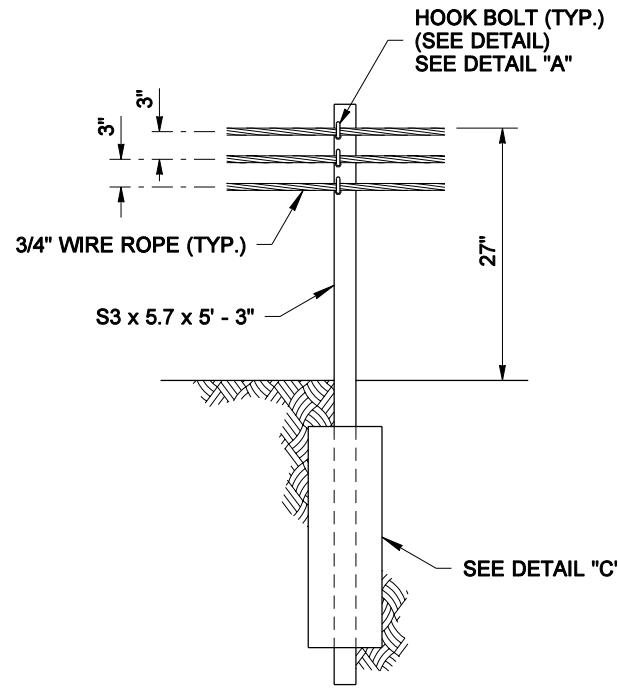
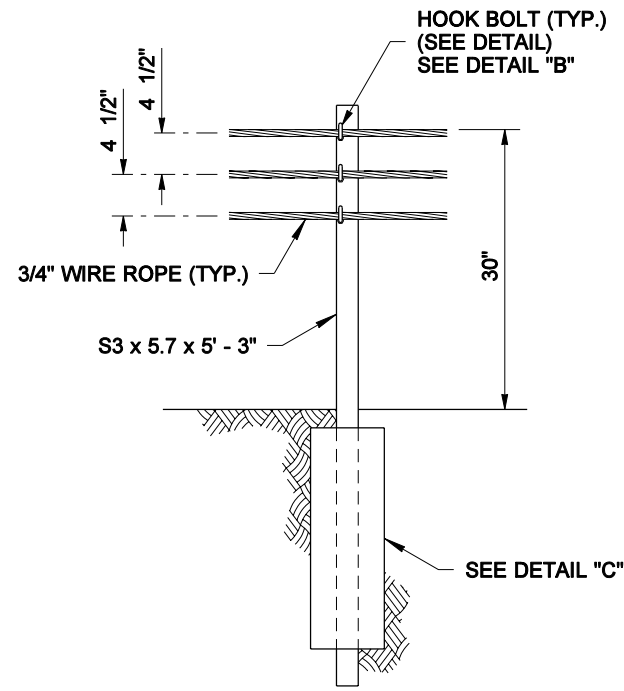


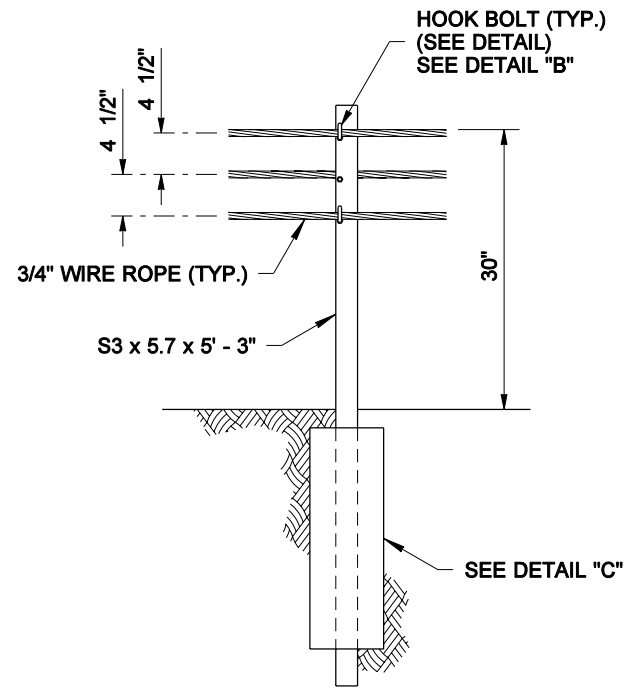
DRAWN BY: MARK SUJKA



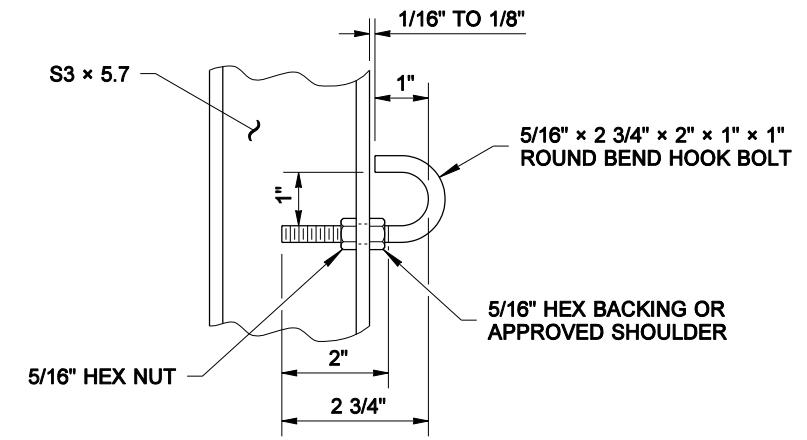
CABLE BARRIER TYPE 1



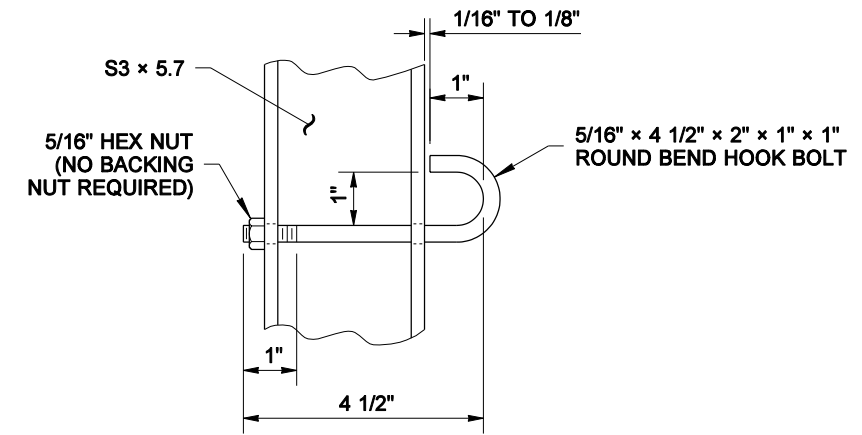
CABLE BARRIER TYPE 2



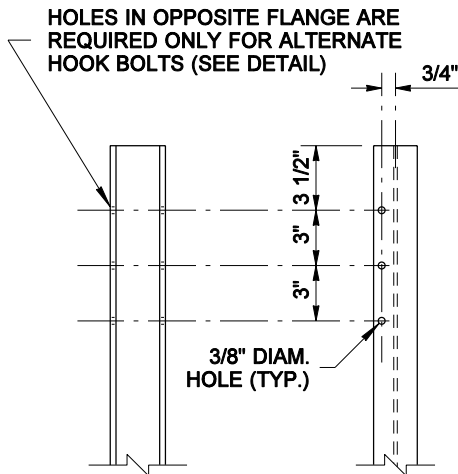
CABLE BARRIER TYPE 3



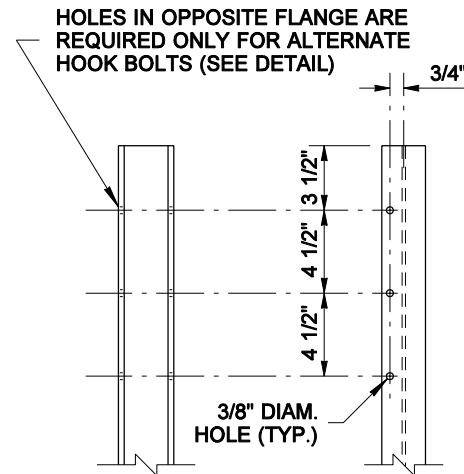
HOOK BOLT DETAIL



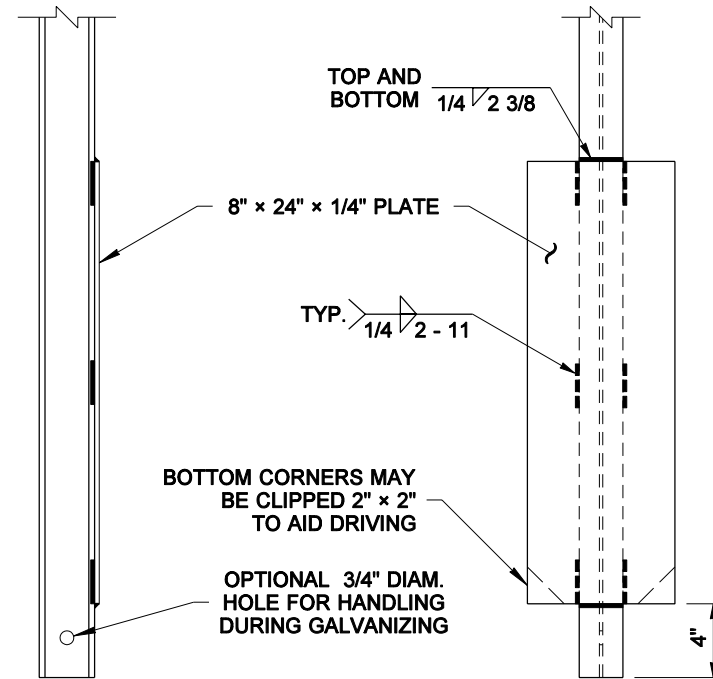
ALTERNATE HOOK BOLT DETAIL



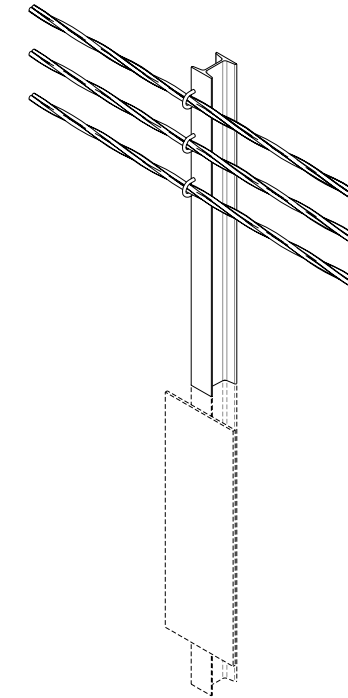
DETAIL "A"



DETAIL "B"



DETAIL "C"



ISOMETRIC VIEW



EXPIRES JULY 24, 2004

CABLE BARRIER

STANDARD PLAN C-11

SHEET 1 OF 1 SHEET

APPROVED FOR PUBLICATION

Harold J. Peterfeso 05-20-04

STATE DESIGN ENGINEER DATE



NOTE: THIS PLAN IS NOT A LEGAL ENGINEERING DOCUMENT BUT AN ELECTRONIC DUPLICATE. THE ORIGINAL, SIGNED BY THE ENGINEER AND APPROVED FOR PUBLICATION, IS KEPT ON FILE AT THE WASHINGTON STATE DEPARTMENT OF TRANSPORTATION. A COPY MAY BE OBTAINED UPON REQUEST.

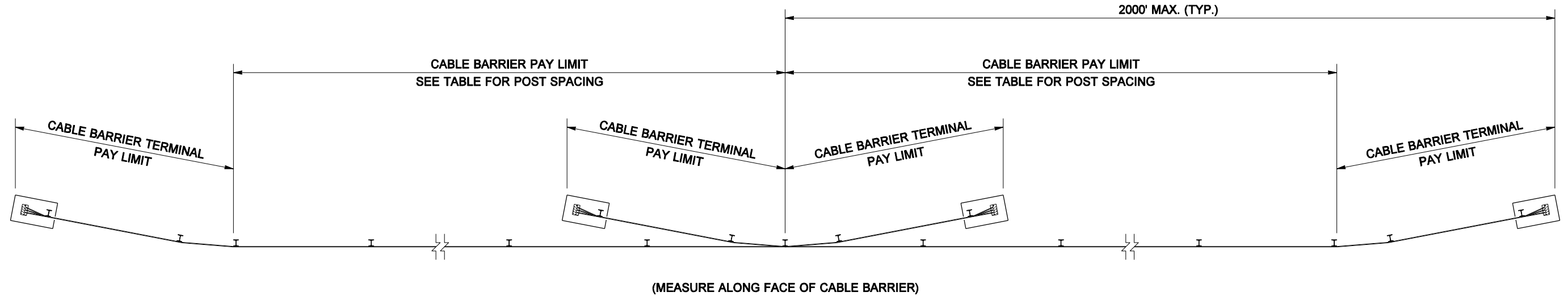
12/2003	REVISED DETAILS "A" & "B", REMOVED DIM. FROM GROUNDLINE TO TOP OF PLATE	MS
DATE	REVISION	BY

DRAWN BY: MARK SUJKA

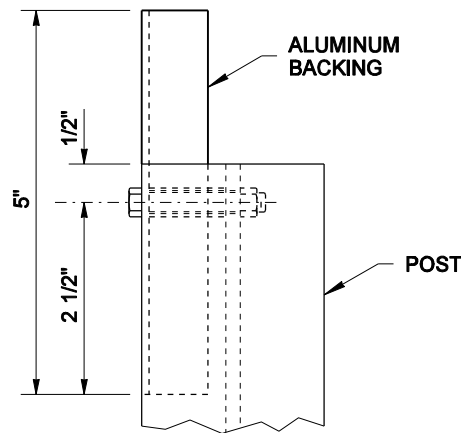
TABLE	
CURVE RADIUS	POST SPACING
LESS THAN 110'	USE NOT RECOMMENDED
110' TO 219'	6'
220' TO 699'	12'
700' OR MORE AND TANGENT SECTIONS	16'

NOTES

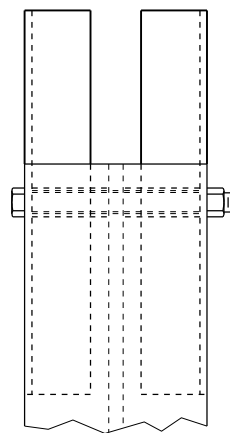
1. When installed in front of slopes steeper than 6:1, the distance between posts and slope break point shall be 1' - 0" minimum.
2. Where barrier is parallel to the edge of the travelled way, every sixth post shall have a reflector; see Reflector Detail. Reflectors shall be white when installed on the right side of traffic, and yellow when installed on the left side of traffic.
3. See Standard Plan C-11b for Cable Barrier Terminal details.



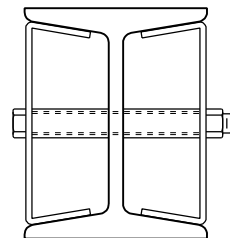
**PLAN VIEW
CABLE BARRIER PLACEMENT**



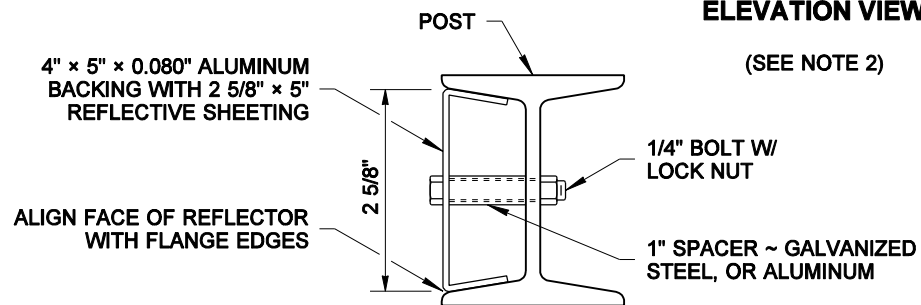
ELEVATION VIEW
(SEE NOTE 2)



INSTALL ON BOTH SIDES OF POST WHEN IN MEDIAN



**PLAN VIEW
REFLECTOR DETAIL**



EXPIRES JULY 24, 2004

**CABLE BARRIER
PLACEMENT
STANDARD PLAN C-11a**

SHEET 1 OF 1 SHEET

NOTE: THIS PLAN IS NOT A LEGAL ENGINEERING DOCUMENT BUT AN ELECTRONIC DUPLICATE. THE ORIGINAL, SIGNED BY THE ENGINEER AND APPROVED FOR PUBLICATION, IS KEPT ON FILE AT THE WASHINGTON STATE DEPARTMENT OF TRANSPORTATION. A COPY MAY BE OBTAINED UPON REQUEST.

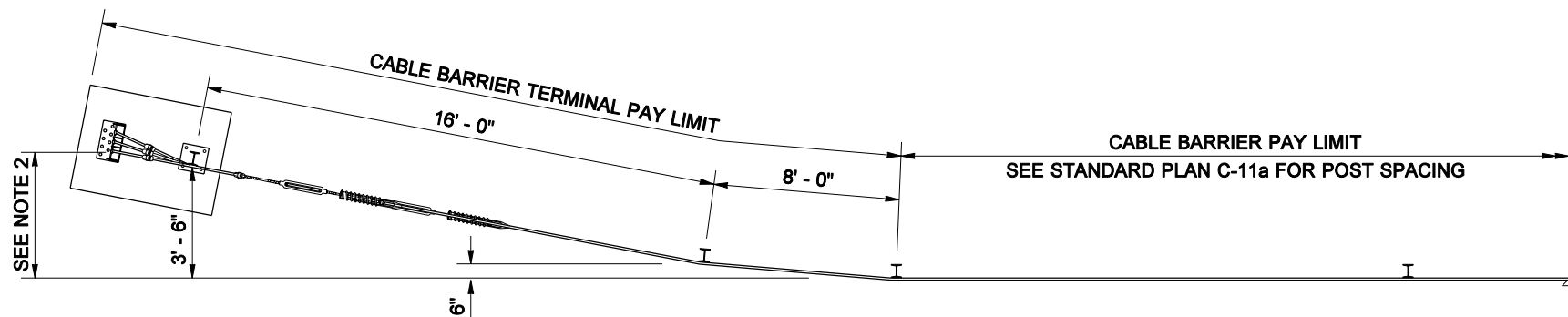
APPROVED FOR PUBLICATION

Harold J. Peterfeso 05-20-04

STATE DESIGN ENGINEER DATE



04/2004	REVISED TABLE, NOTE 1, & REFLECTOR DETAIL	MS
DATE	REVISION	BY



NOTES

1. Stagger Spring Cable End assemblies for clearance between units. Installation of cable end assemblies shall be as follows:

LENGTH OF CABLE RUNS:

- Up to 500' ~ Use the Spring Cable End Assembly on one end, and turnbuckle only on the other end of each cable.
- Over 500' to 2000' ~ Use the Spring Cable End Assembly on each end of each cable.

2. Distance from tangent of barrier run to notch for top cable on breakaway anchor angle shall be 4'.
3. Where the cable is connected to a cable socket with a wedge type connector, one wire of the wire rope shall be crimped over the base of the wedge to hold it firmly in place.

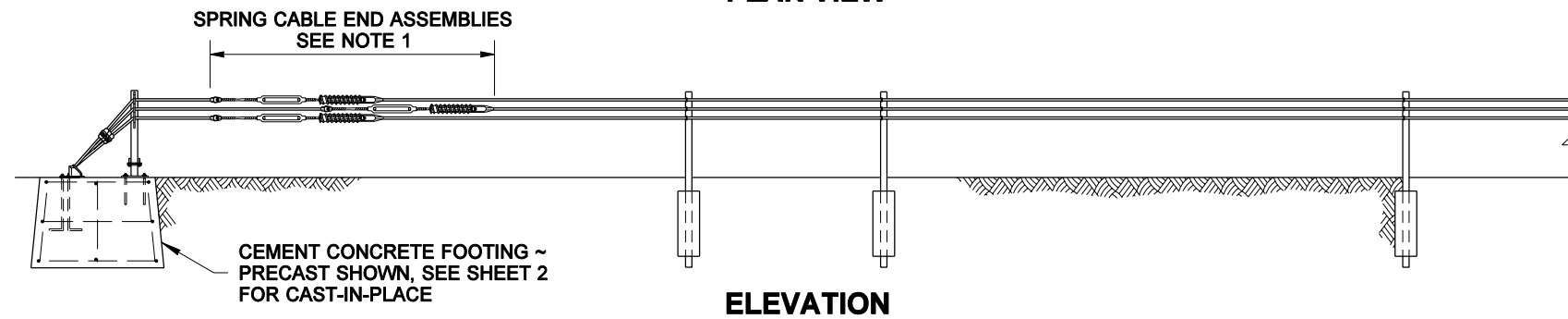
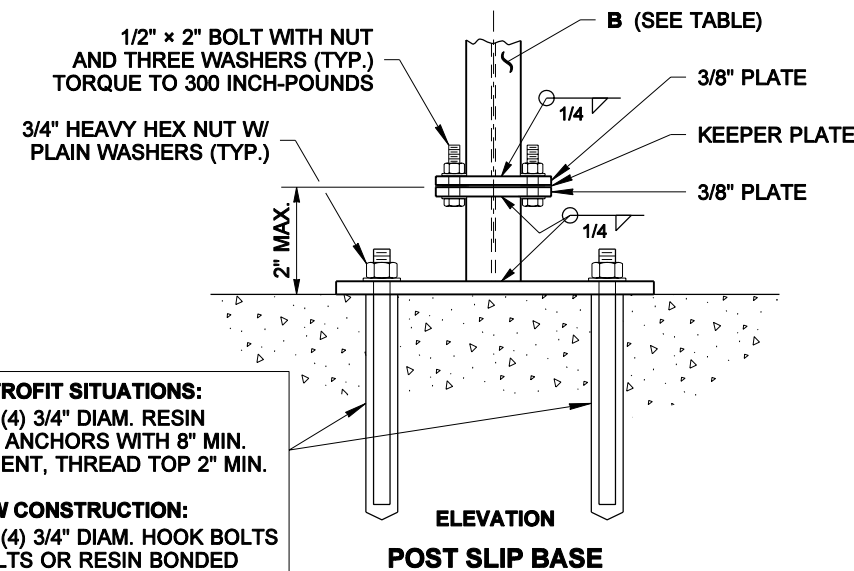
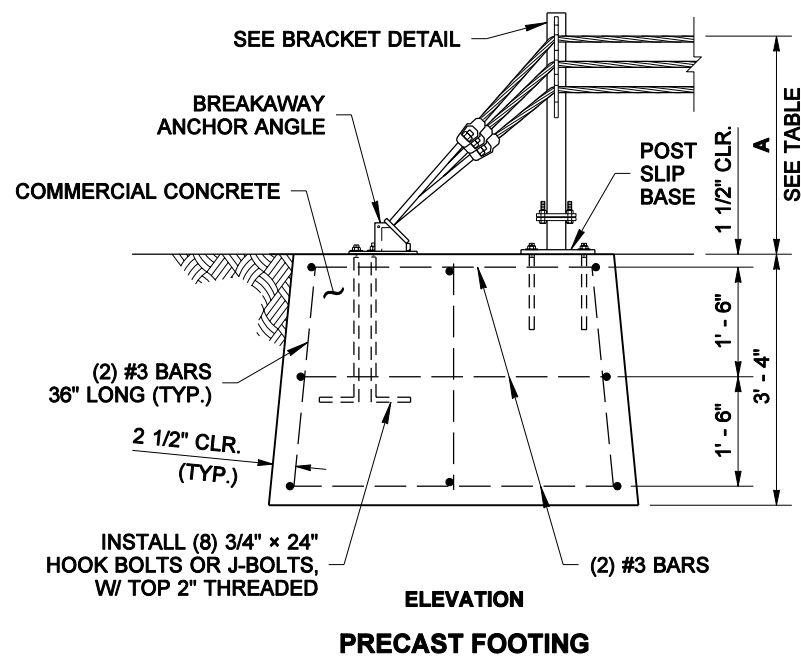
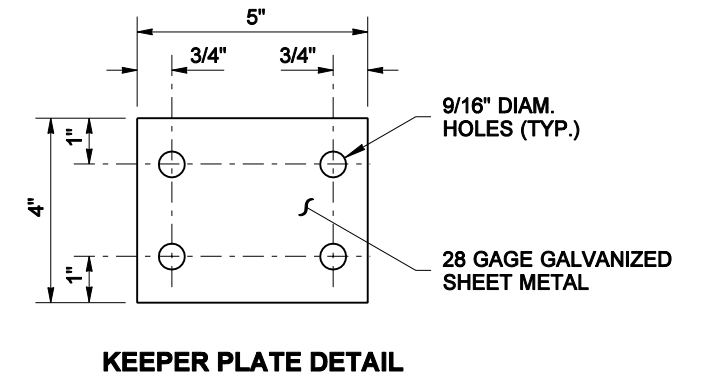
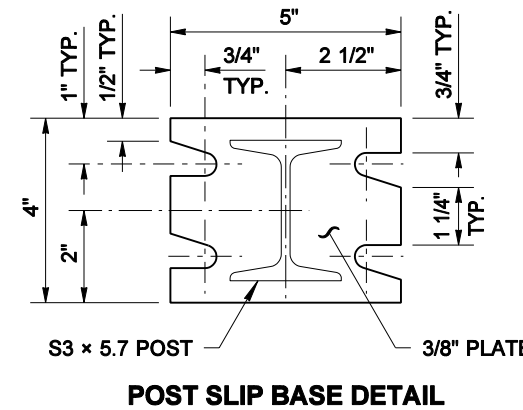
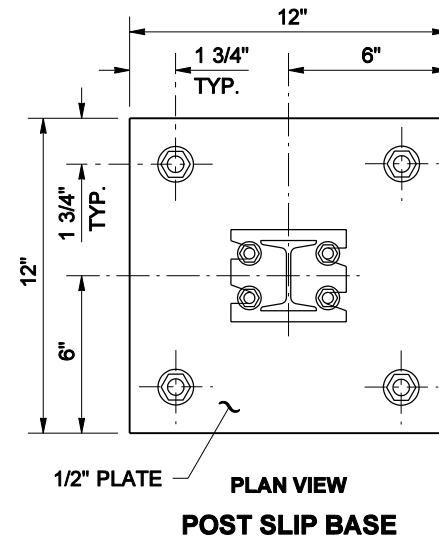
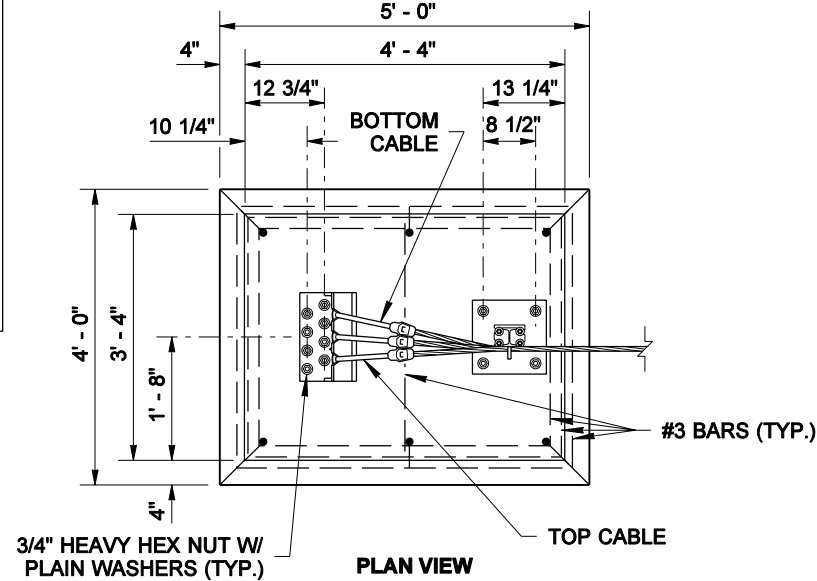


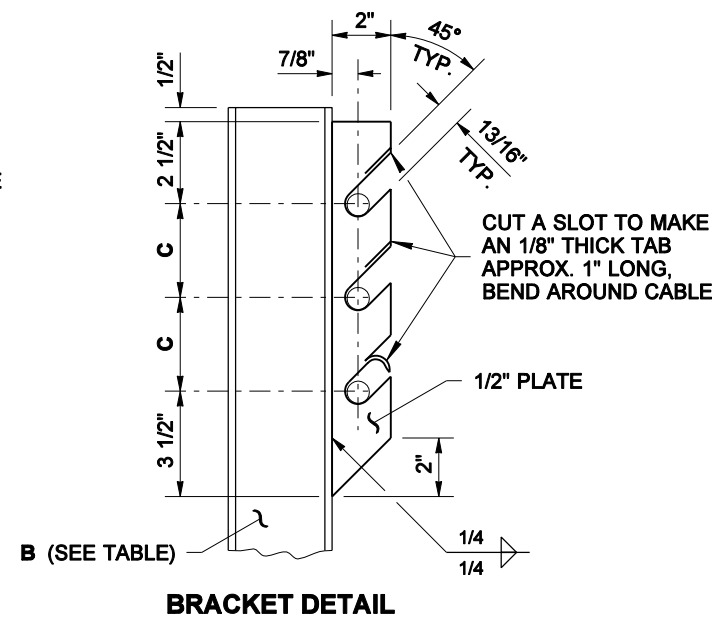
TABLE			
CABLE BARRIER	A TOP OF FOOTING TO TOP OF HIGHEST CABLE	B SLIP POST DIMENSIONS	C BETWEEN CABLES
TYPE 1	27"	S3 x 5.7 x 27 1/4"	3"
TYPE 2	30"	S3 x 5.7 x 30 1/4"	4 1/2"
TYPE 3	30"	S3 x 5.7 x 30 1/4"	4 1/2"

NOTE: THIS PLAN IS NOT A LEGAL ENGINEERING DOCUMENT BUT AN ELECTRONIC DUPLICATE OF THE ORIGINAL, SIGNED BY THE ENGINEER AND APPROVED FOR PUBLICATION. IT IS KEPT ON FILE AT THE WASHINGTON STATE DEPARTMENT OF TRANSPORTATION. A COPY MAY BE OBTAINED UPON REQUEST.



FOR RETROFIT SITUATIONS:
INSTALL (4) 3/4" DIAM. RESIN BONDED ANCHORS WITH 8" MIN. EMBEDMENT, THREAD TOP 2" MIN.

FOR NEW CONSTRUCTION:
INSTALL (4) 3/4" DIAM. HOOK BOLTS OR J-BOLTS OR RESIN BONDED ANCHORS W/ 8" MIN. EMBEDMENT, THREAD TOP 2" MIN.



EXPIRES JULY 24, 2004

**CABLE BARRIER
TERMINAL
STANDARD PLAN C-11b**

SHEET 1 OF 2 SHEETS

APPROVED FOR PUBLICATION

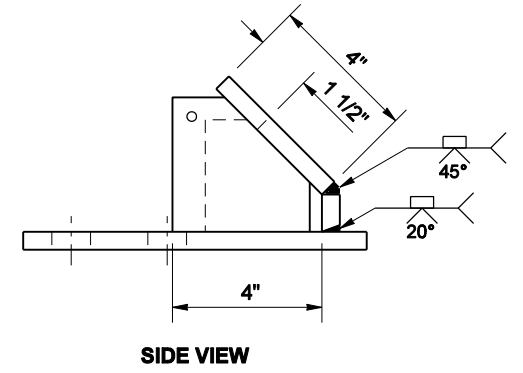
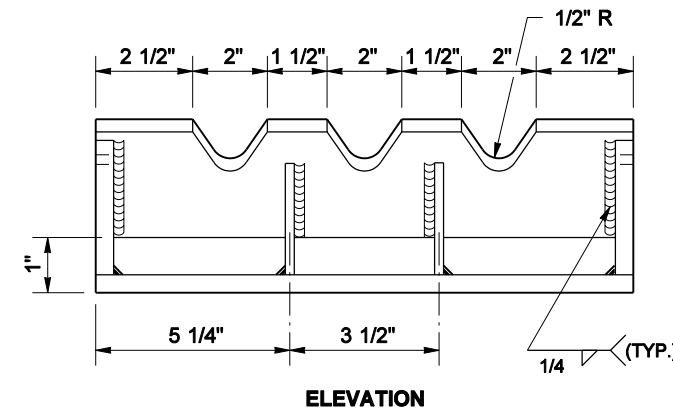
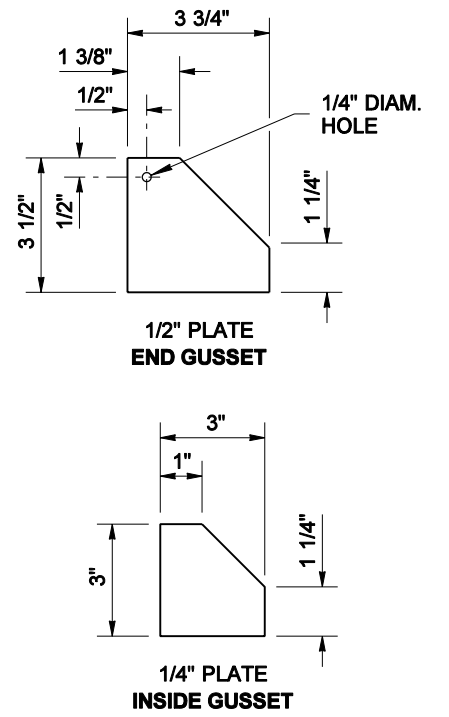
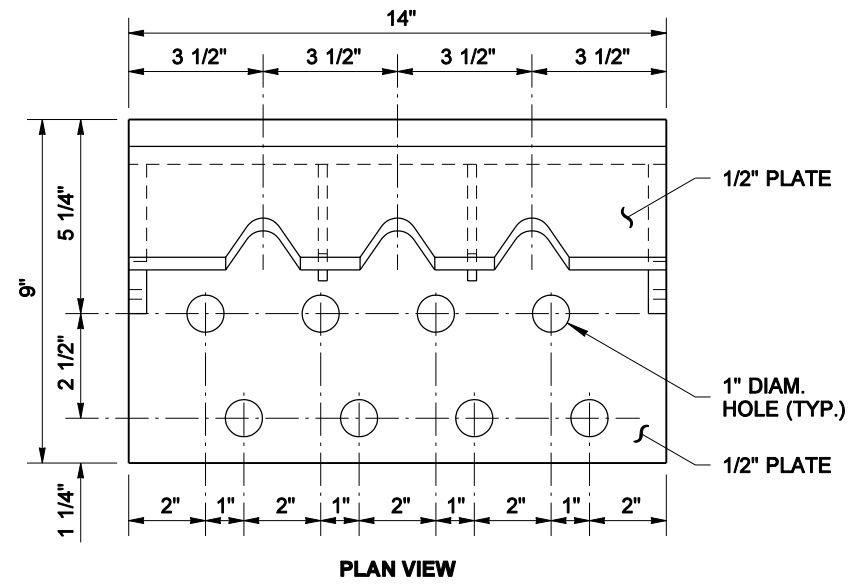
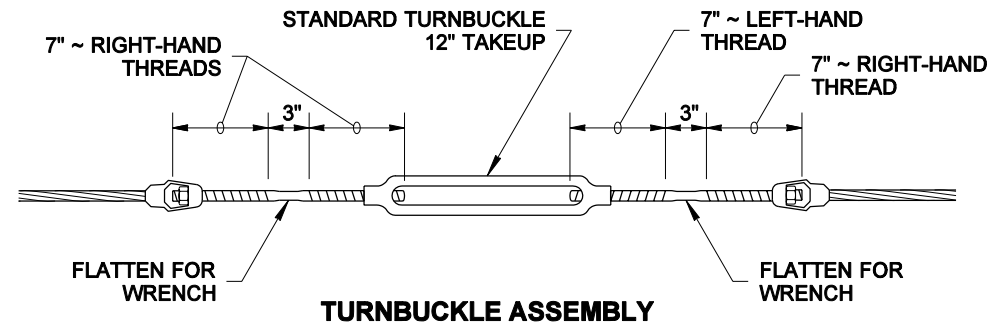
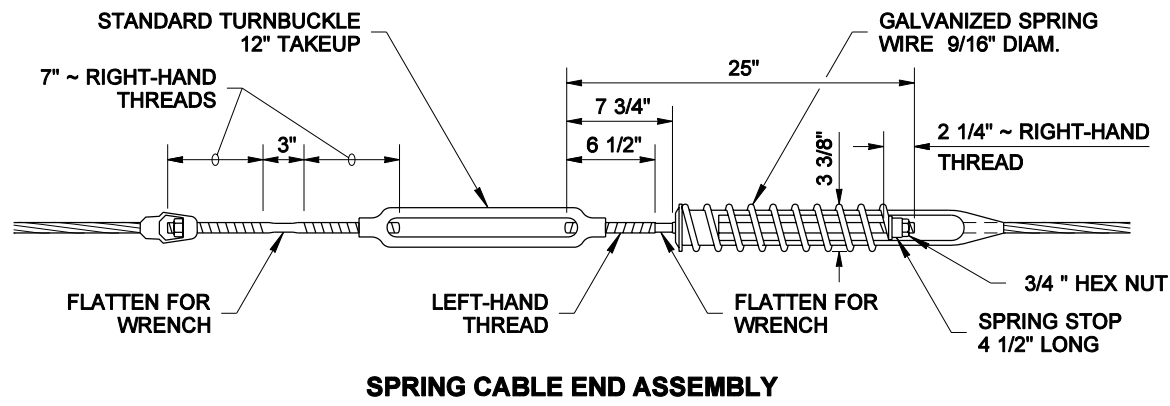
Harold J. Peterfeso 05-20-04

STATE DESIGN ENGINEER DATE

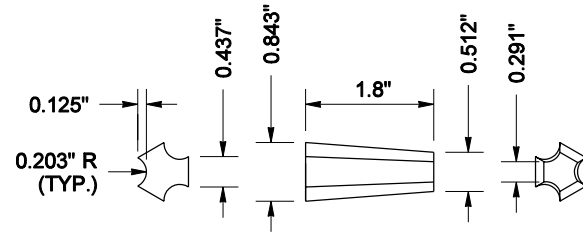


04/2004	REV. FOUNDATION; REV. BOLT LENGTH FOR SLIP BASE.	MS
DATE	REVISION	BY

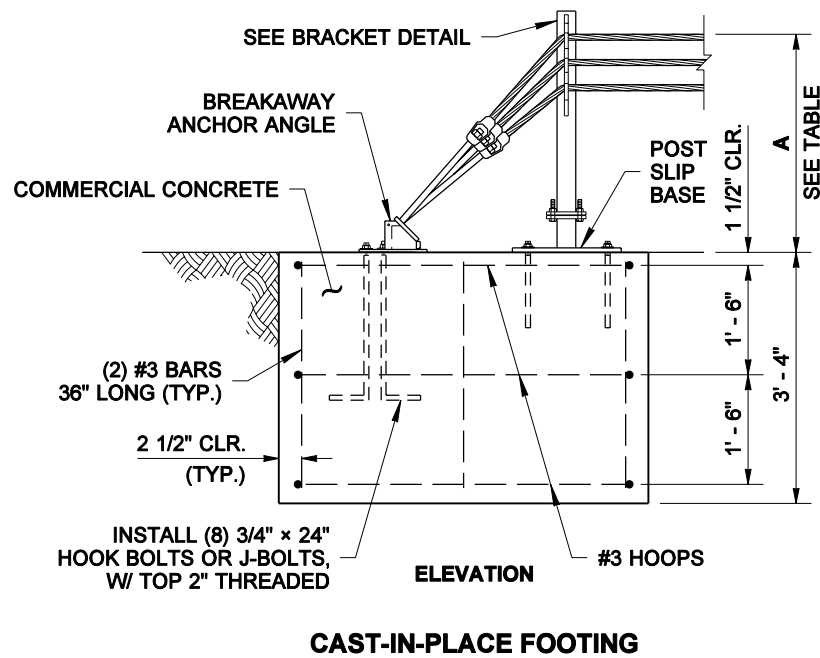
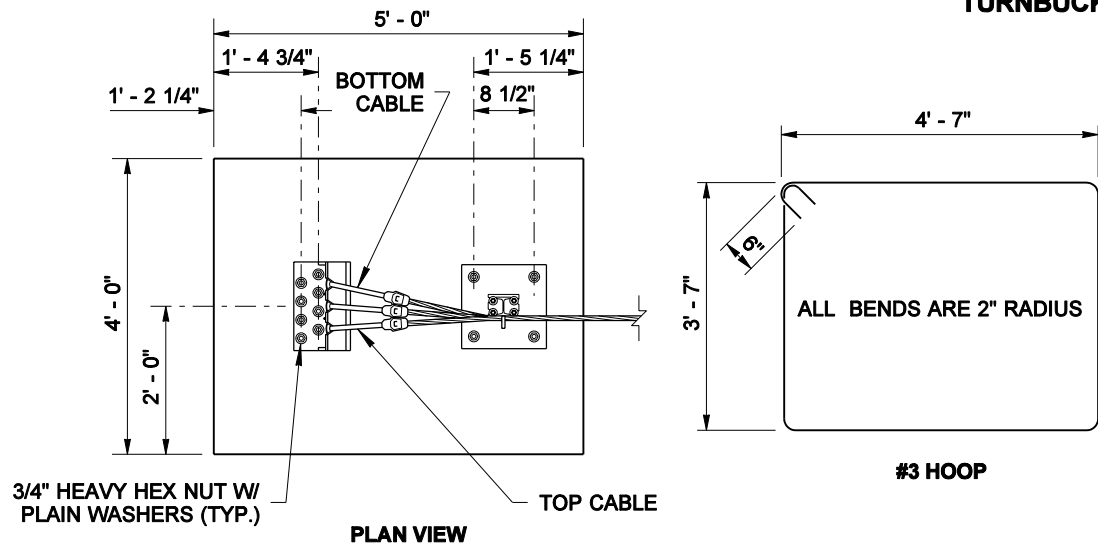
DRAWN BY: MARK SUJKA



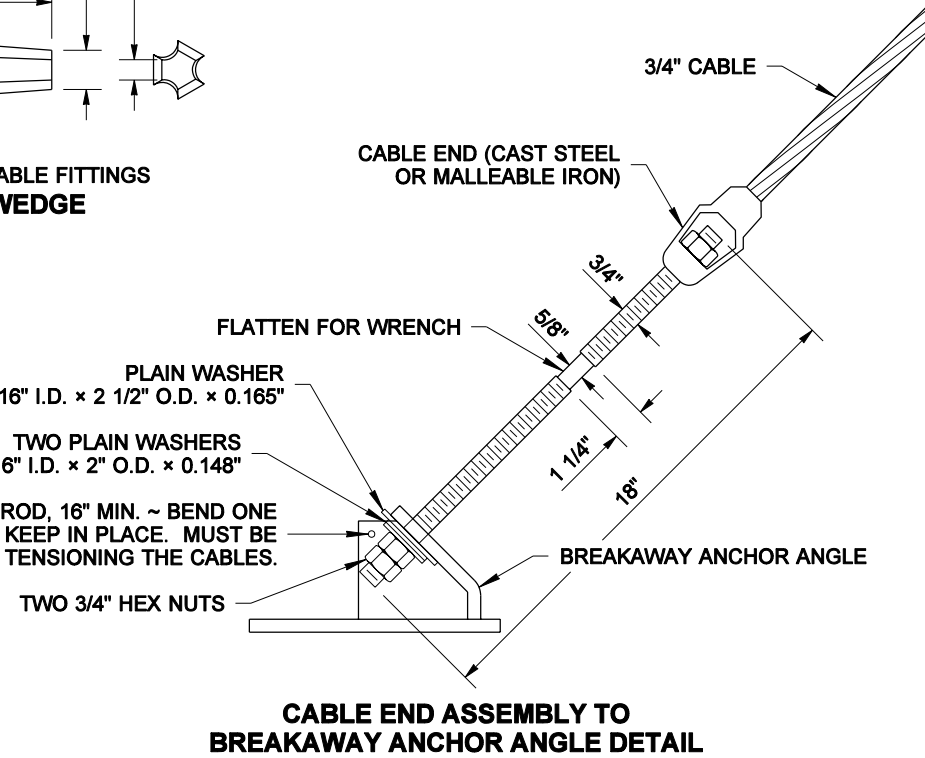
BREAKAWAY ANCHOR ANGLE



USE WITH ALL CABLE FITTINGS
CABLE WEDGE



CAST-IN-PLACE FOOTING



EXPIRES JULY 24, 2004

CABLE BARRIER TERMINAL
STANDARD PLAN C-11b

SHEET 2 OF 2 SHEETS

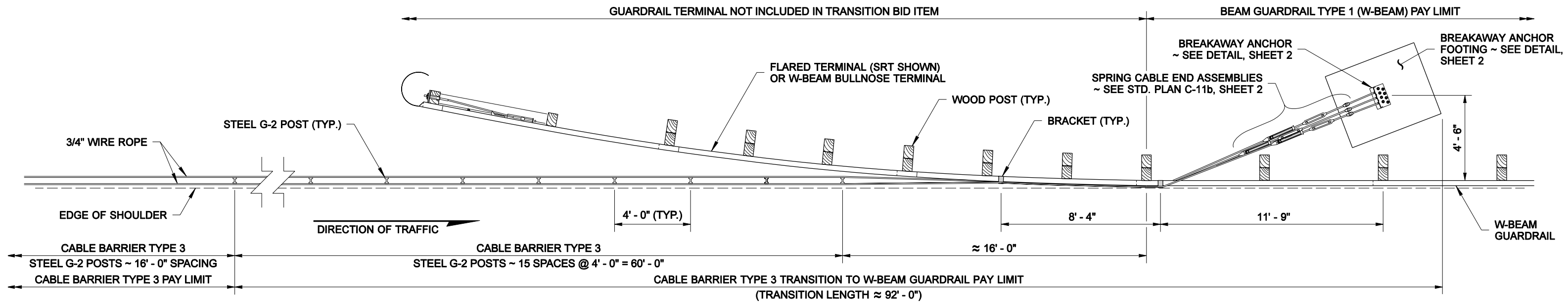
APPROVED FOR PUBLICATION

Harold J. Peterfeso 05-20-04

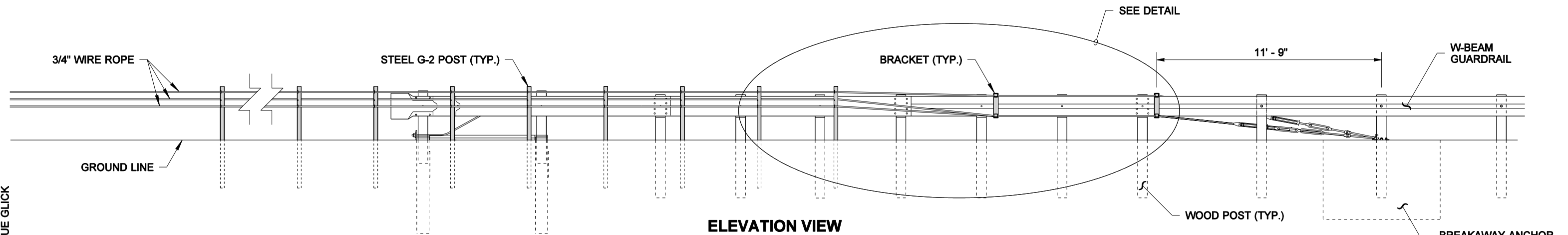
STATE DESIGN ENGINEER DATE



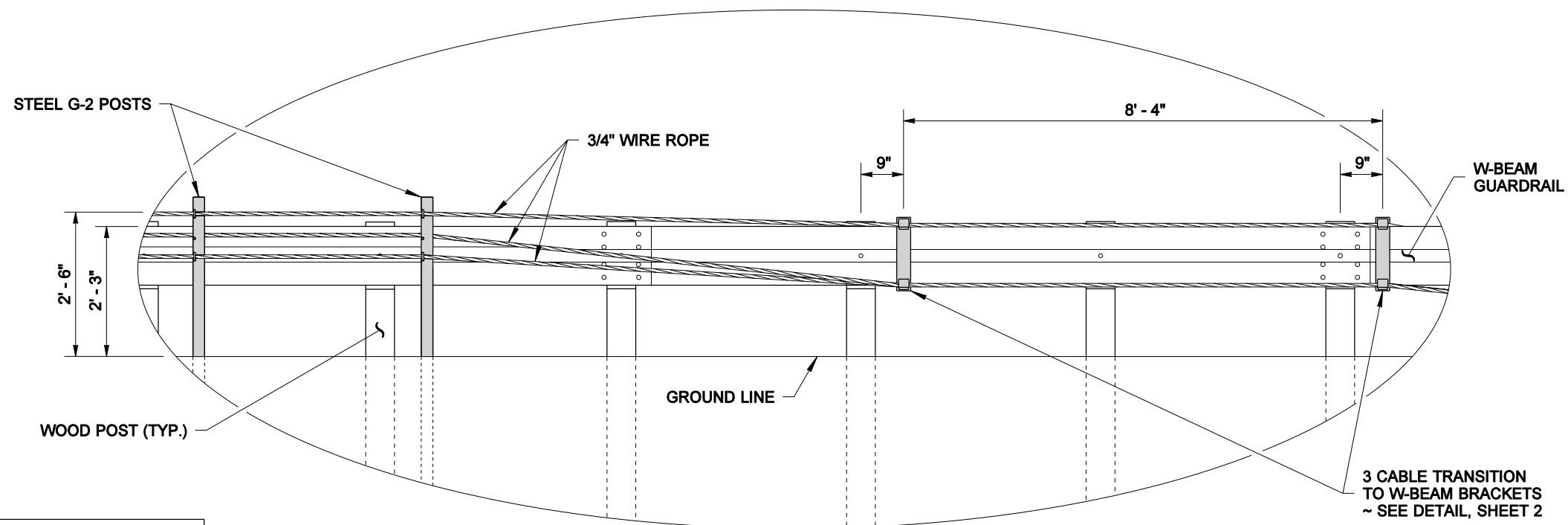
NOTE: THIS PLAN IS NOT A LEGAL ENGINEERING DOCUMENT BUT AN ELECTRONIC DUPLICATE OF THE ORIGINAL, SIGNED BY THE ENGINEER AND APPROVED FOR PUBLICATION. IT IS KEPT ON FILE AT THE WASHINGTON STATE DEPARTMENT OF TRANSPORTATION. A COPY MAY BE OBTAINED UPON REQUEST.



PLAN VIEW



ELEVATION VIEW



DETAIL

DRAWN BY: MONIQUE GLICK

NOTE: THIS PLAN IS NOT A LEGAL ENGINEERING DOCUMENT BUT AN ELECTRONIC DUPLICATE. THE ORIGINAL, SIGNED BY THE ENGINEER AND APPROVED FOR PUBLICATION, IS KEPT ON FILE AT THE WASHINGTON STATE DEPARTMENT OF TRANSPORTATION. A COPY MAY BE OBTAINED UPON REQUEST.



EXPIRES JULY 24, 2006

**CABLE BARRIER TYPE 3
TRANSITION
TO W-BEAM GUARDRAIL
STANDARD PLAN C-3d**

SHEET 1 OF 2 SHEETS

APPROVED FOR PUBLICATION

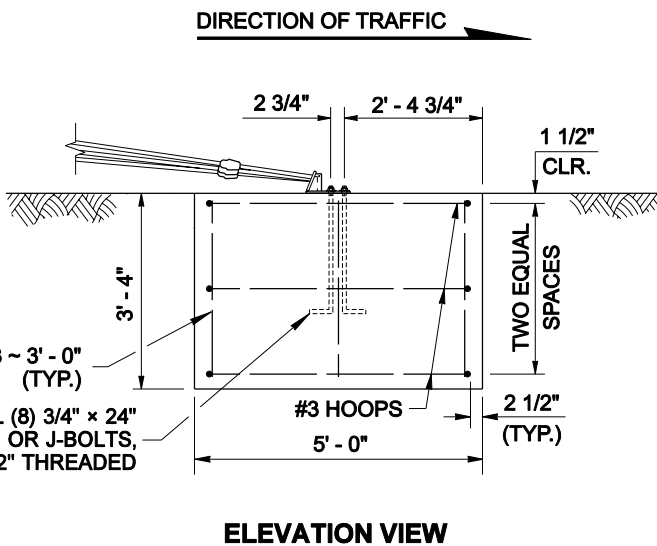
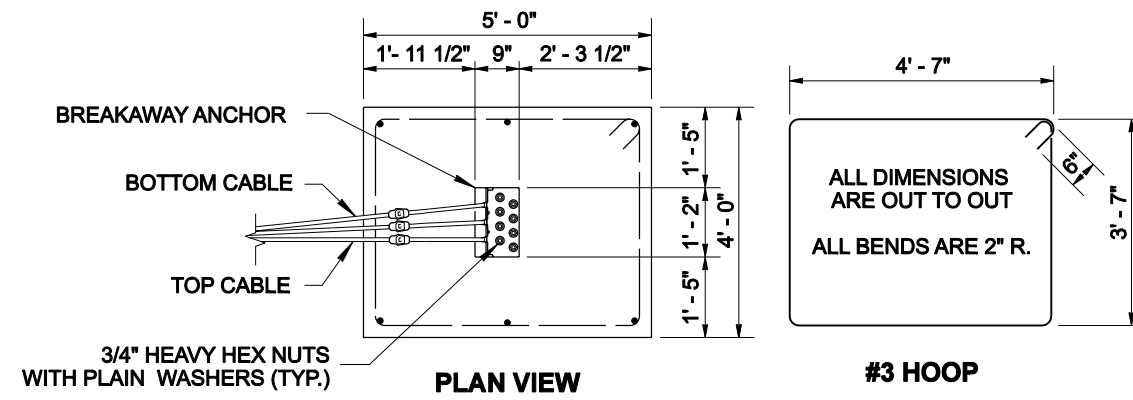
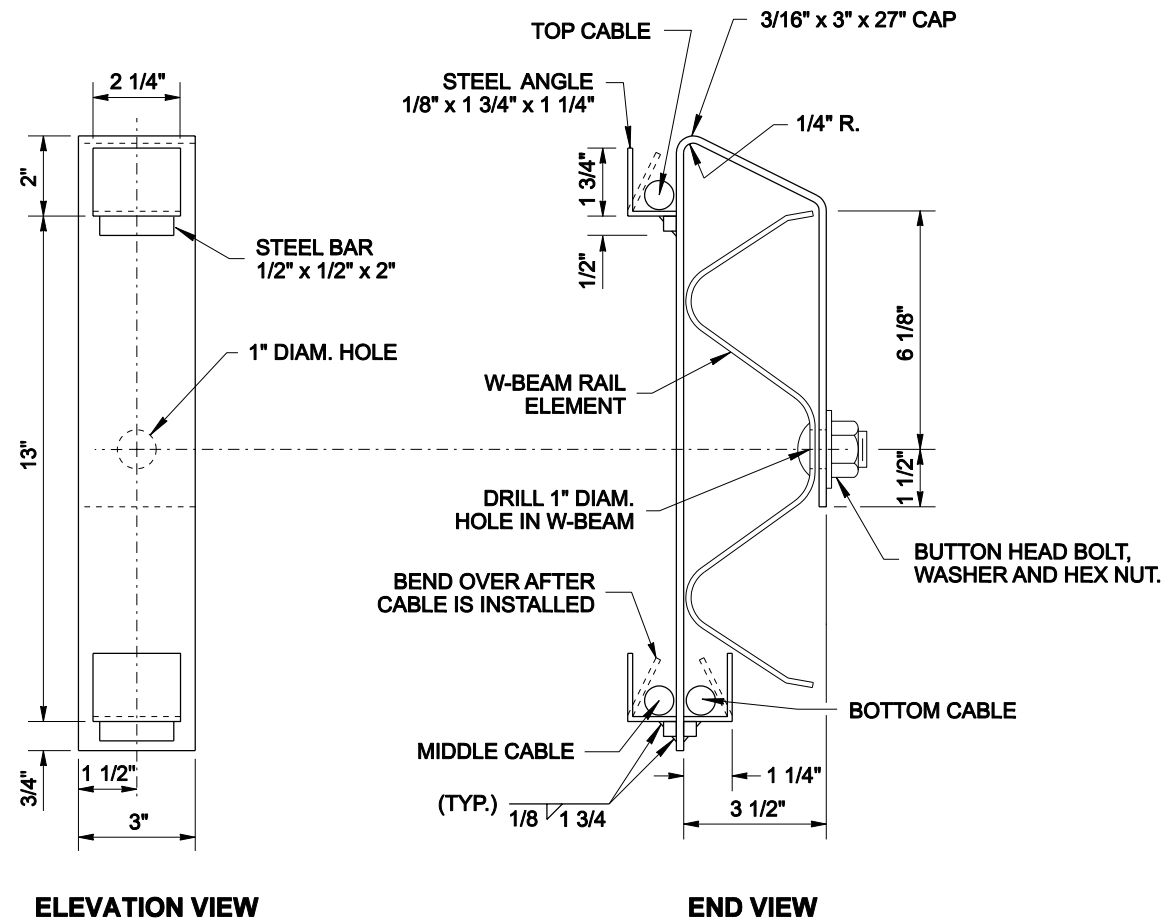
Harold J. Peterfeso 03-03-05

STATE DESIGN ENGINEER

DATE



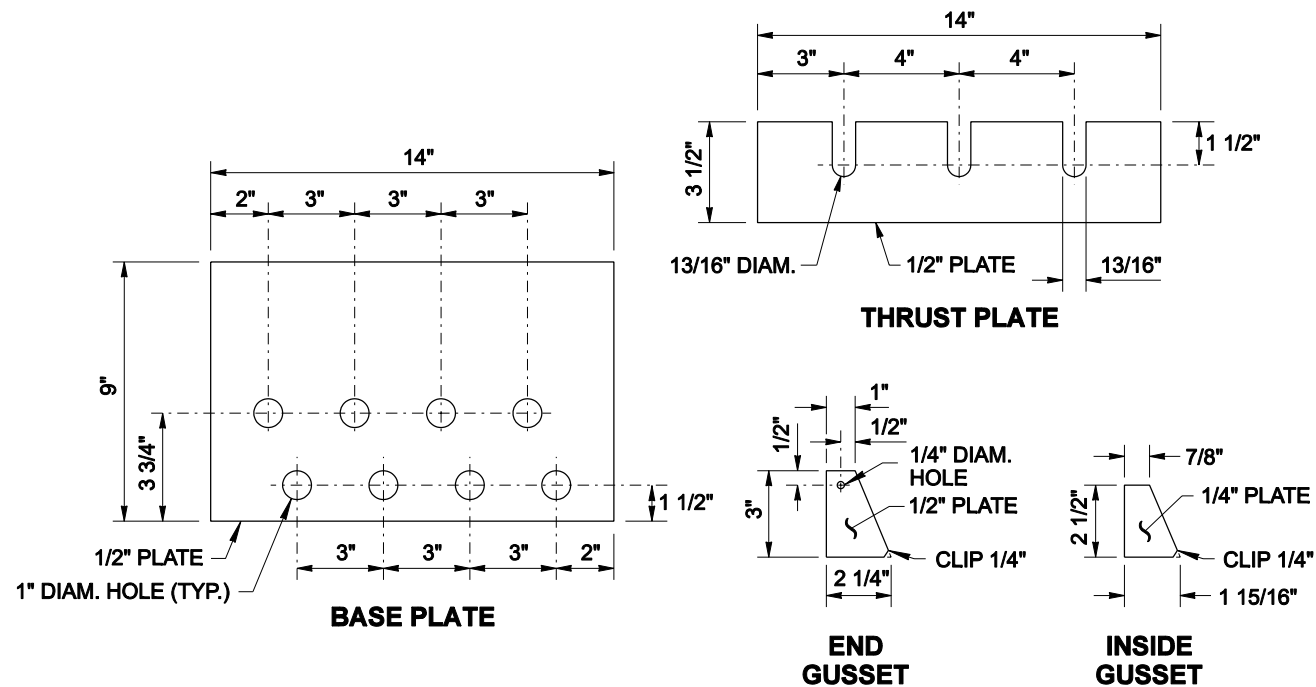
DRAWN BY: MONIQUE GLICK



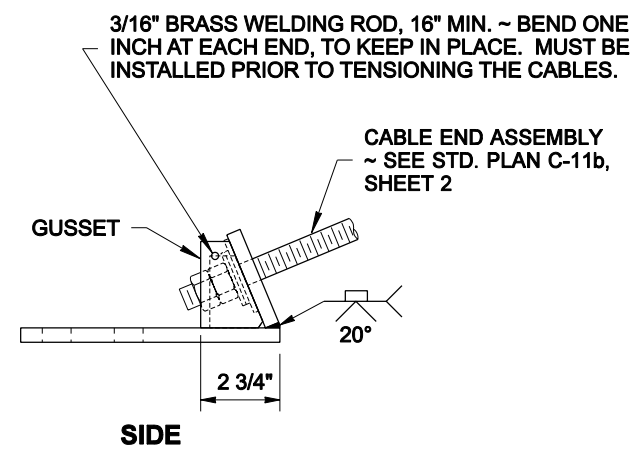
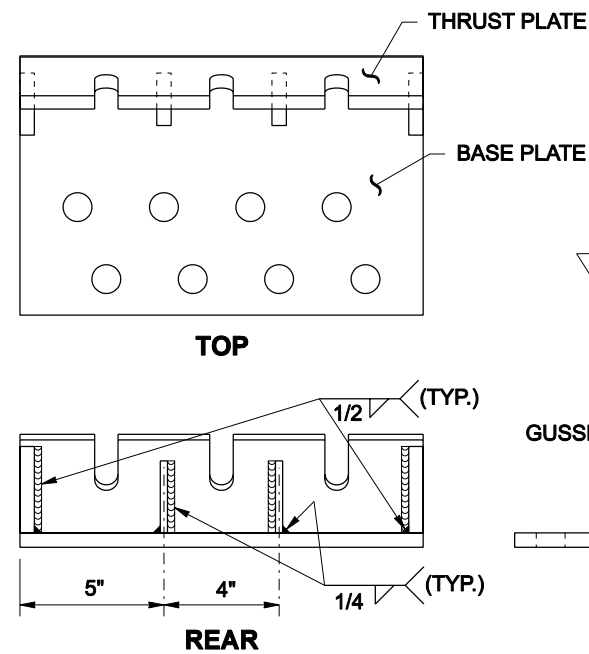
BREAKAWAY ANCHOR FOOTING DETAIL

STEEL USED IN THE FABRICATION OF THE BRACKET SHALL CONFORM TO ASTM A 36 AND THE BRACKET SHALL BE GALVANIZED AFTER FABRICATION IN ACCORDANCE WITH ASTM A 123.

3 CABLE TRANSITION TO W-BEAM BRACKET DETAIL



BREAKAWAY ANCHOR DETAIL



EXPIRES JULY 24, 2006

**CABLE BARRIER TYPE 3
TRANSITION
TO W-BEAM GUARDRAIL
STANDARD PLAN C-3d**

SHEET 2 OF 2 SHEETS

APPROVED FOR PUBLICATION

Harold J. Peterfeso 03-03-05

STATE DESIGN ENGINEER DATE



NOTE: THIS PLAN IS NOT A LEGAL ENGINEERING DOCUMENT BUT AN ELECTRONIC DUPLICATE. THE ORIGINAL, SIGNED BY THE ENGINEER AND APPROVED FOR PUBLICATION, IS KEPT ON FILE AT THE WASHINGTON STATE DEPARTMENT OF TRANSPORTATION. A COPY MAY BE OBTAINED UPON REQUEST.