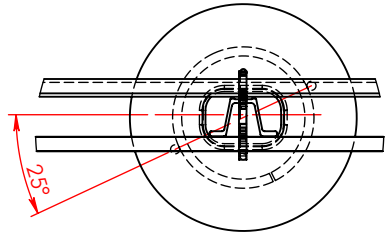
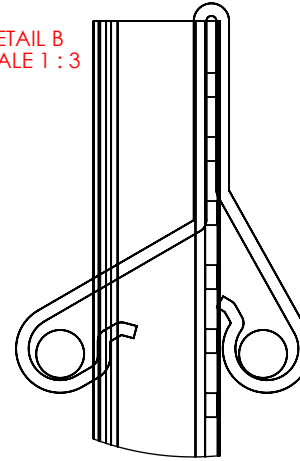


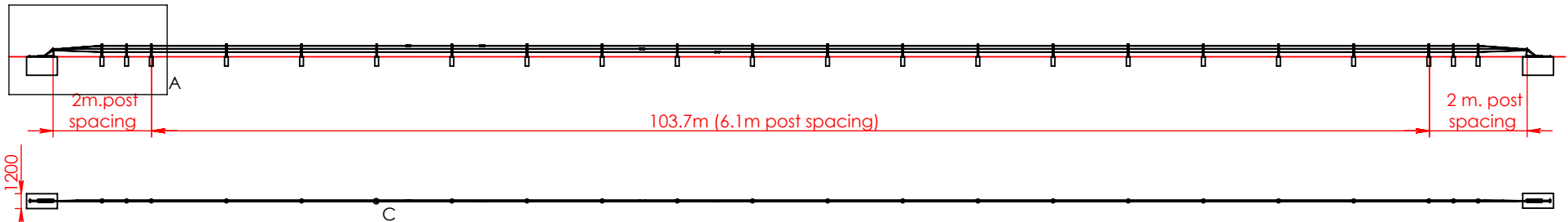
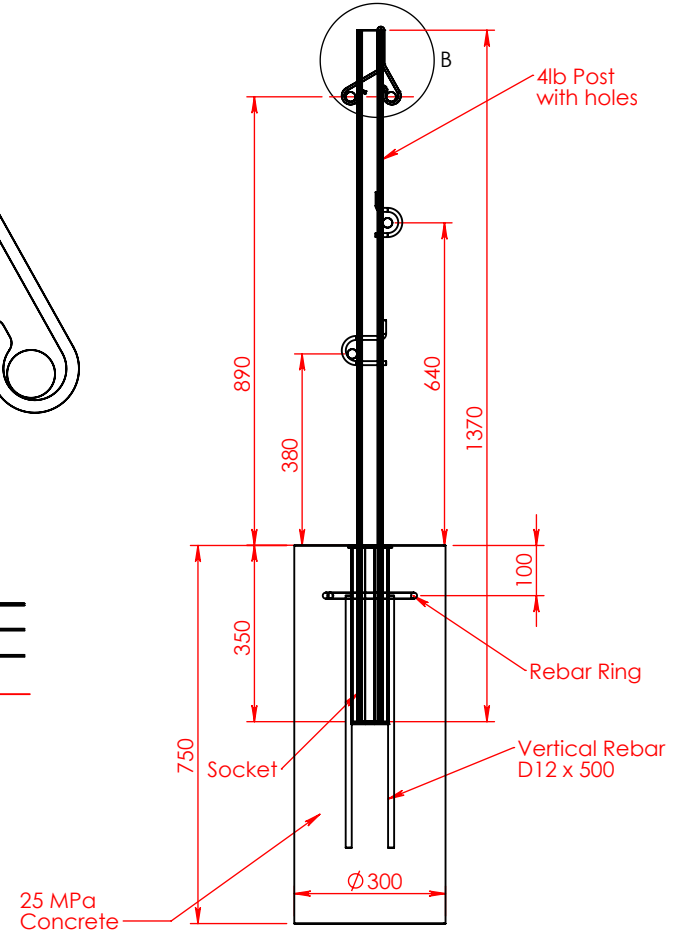
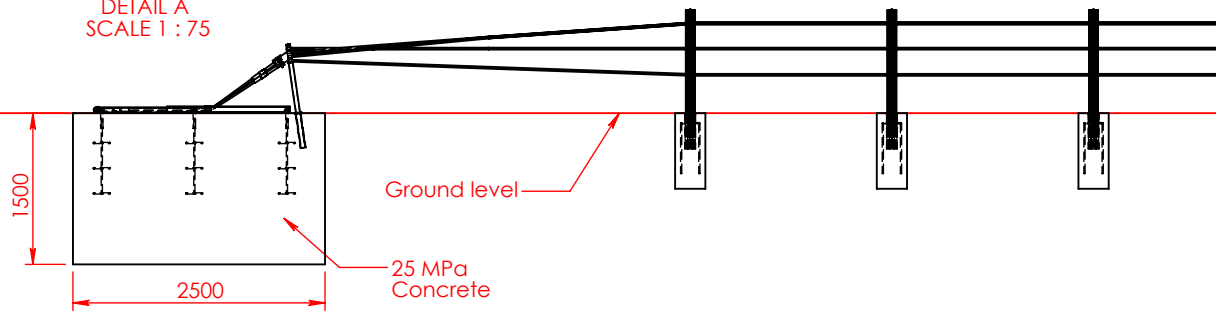
DETAIL C  
SCALE 1 : 10



DETAIL B  
SCALE 1 : 3



DETAIL A  
SCALE 1 : 75



The information heron is proprietary to Armorflex Ltd. and shall not be disclosed, duplicated or used otherwise without the express written approval of Armorflex Ltd.

SCALE: 1:500

Standard Tolerance

|           |      |       |
|-----------|------|-------|
|           | DATE | INIT. |
| DRAWN BY  |      | AD    |
| APPR'D BY |      | DJ    |



8 Paul Matthews Rd.  
Albany, Auckland, NZ  
tel. 64 9 415 2991  
fax. 64 9 415 2993  
info@armorflex.co.nz

Nucor Wire

| SHEET  | DRAWING NUMBER | REV. |
|--------|----------------|------|
| 1 OF 1 |                |      |

|                       |      |         |      |
|-----------------------|------|---------|------|
| © 2007 Armorflex Ltd. | REV. | CHANGES | DATE |
|-----------------------|------|---------|------|